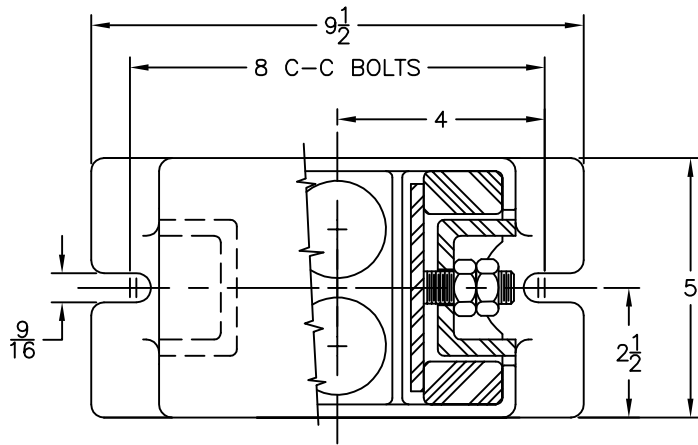


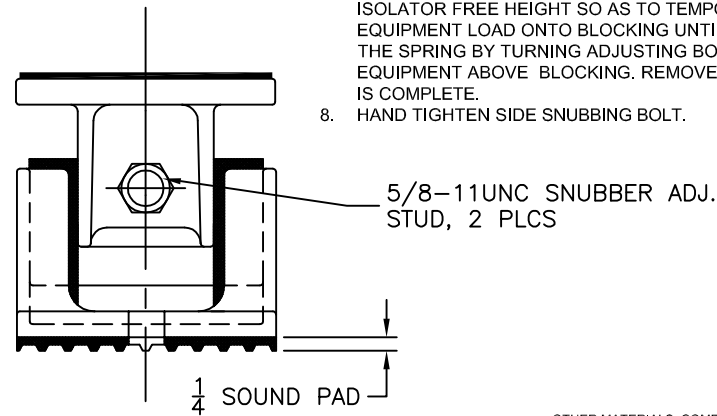
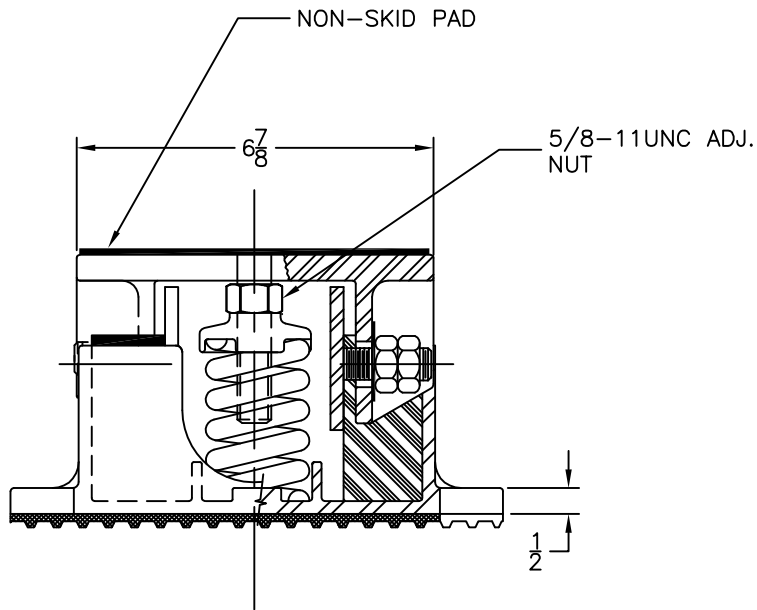
REV.	DESCRIPTION	DATE	BY



PART NUMBER	ISOLATOR MODEL	MAX. STEADY (LBS)	MAX. IMPACT (LBS)	ISOLATOR CONSTANT (LBS)	MIN. FREE HEIGHT	COLOR CODE
603392-50	LID-50	100	△	50	6 1/2	YELLOW
603392-51	LID-51	250	△	125		ORANGE
603392-52	LID-52	400	△	240		BROWN
603392-53	LID-53	600	△	380		BLACK
603392-54	LID-54	1000	△	690		GREEN
603392-55	LID-55	1400	△	1120	5 1/8	BLUE
603392-56	LID-56	2400	△	3300		PURPLE
603392-45	LID-45	650	520	880		BROWN
603392-46	LID-46	900	720	1600		RED
603392-47	LID-47	1200	960	2450	PURPLE	5 1/2
603392-57	LID-57	2200	1650	4260	BLUE	
603392-68	LID-68	2600	2450	5300	GREEN	

NOTES:

- ALL DIMENSIONS ARE IN INCHES, INTERPRET PER ANSI Y14
- STANDARD FINISH: CONTACT VMC FOR ADDITIONAL AVAILABILITY
 - A. STEEL WELDMENTS: STANDARD VMC COLOR
 - B. SPRING: POWDER COATED
 - C. HARDWARE: ELECTRO-ZINC PLATED
- EST. UNIT WEIGHT: 17 LBS.
- △ CURRENTLY UNDER ENGINEERING REVIEW
- MINIMUM OPERATING HEIGHT IS 4 1/2" OR FREE HT.- STATIC SPRING DEFLECTION
- RECOMMENDED MAXIMUM TORQUING OF ISOLATOR BASE ANCHORS TO 5FT-LBS. AFTER EQUIPMENT IS INSTALLED.
- USE OF BLOCKING IS REQUIRED ALONGSIDE EACH ISOLATOR, EQUAL TO ISOLATOR FREE HEIGHT SO AS TO TEMPORARILY TRANSFER THE EQUIPMENT LOAD ONTO BLOCKING UNTIL THE LOAD IS TRANSFERRED TO THE SPRING BY TURNING ADJUSTING BOLT CAUSING ISOLATOR TO LIFT EQUIPMENT ABOVE BLOCKING. REMOVE BLOCKING AFTER INSTALLATION IS COMPLETE.
- HAND TIGHTEN SIDE SNUBBING BOLT.



OTHER MATERIALS, COMPOUNDS, OR FINISHES WITH EQUAL OR SUPERIOR PROPERTIES MAY BE SUBSTITUTED AS THEY BECOME AVAILABLE.

CERTIFIED FOR:

JOB NAME: _____
 CUSTOMER : _____
 CUSTOMER P.O.: _____
 SALES ORDER: _____

**MODEL LID 100-2600 LBS.
 SPRING ISOLATOR WITH
 ADJUSTABLE SNUBBER**



THE VMC GROUP
The Power of Together
 Bloomingdale, NJ 07403
 Houston, TX 77041

SCALE :

NONE

SHEET:

1 OF 1



DRAWING NO.:

REVISION